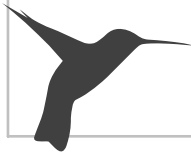
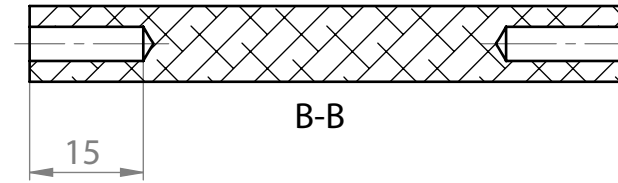
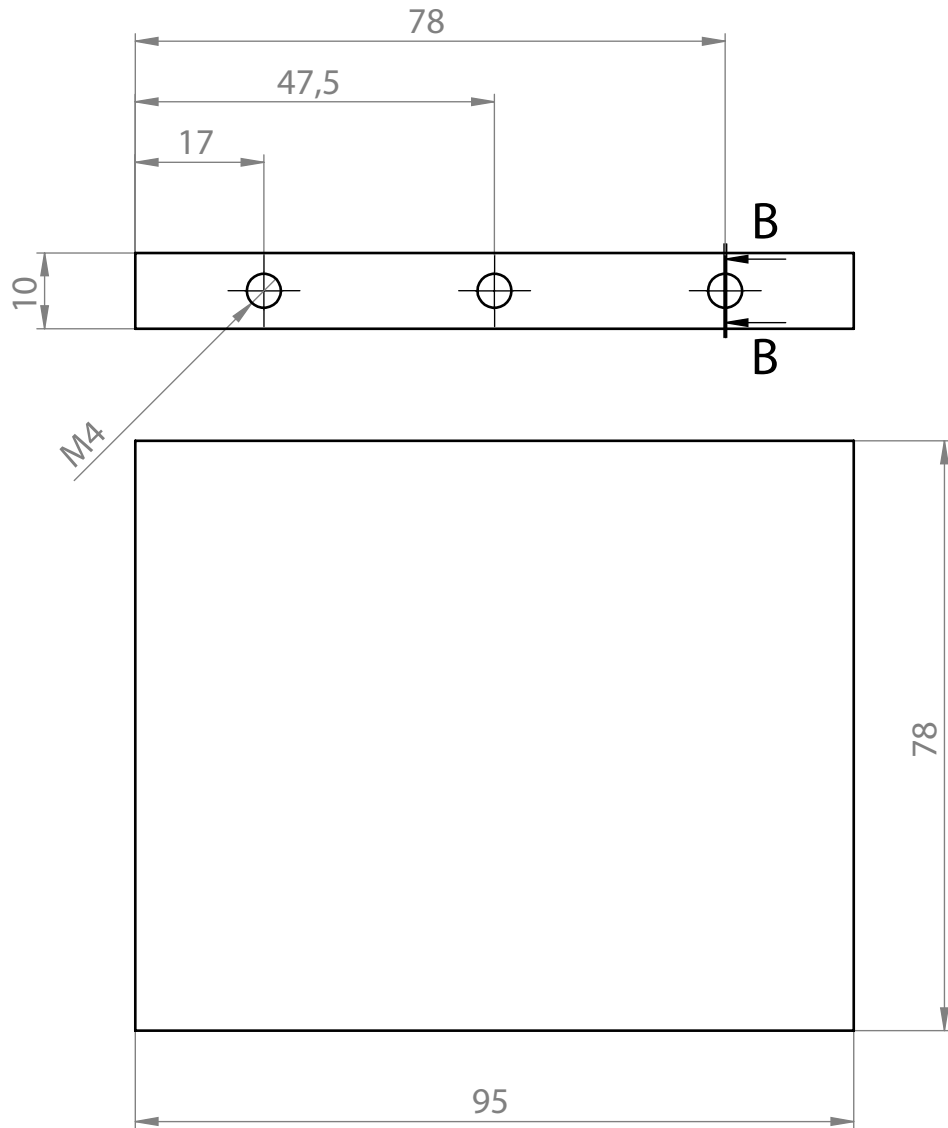


2 pieces



TROCHILI DESIGN

Z-axis crossbeams

Date
21-8-2013



Scale
1:1

Unit of measure
mm

Signed
M.R. Grössl

Format
A4

Weight
Drawingnumber
5-6