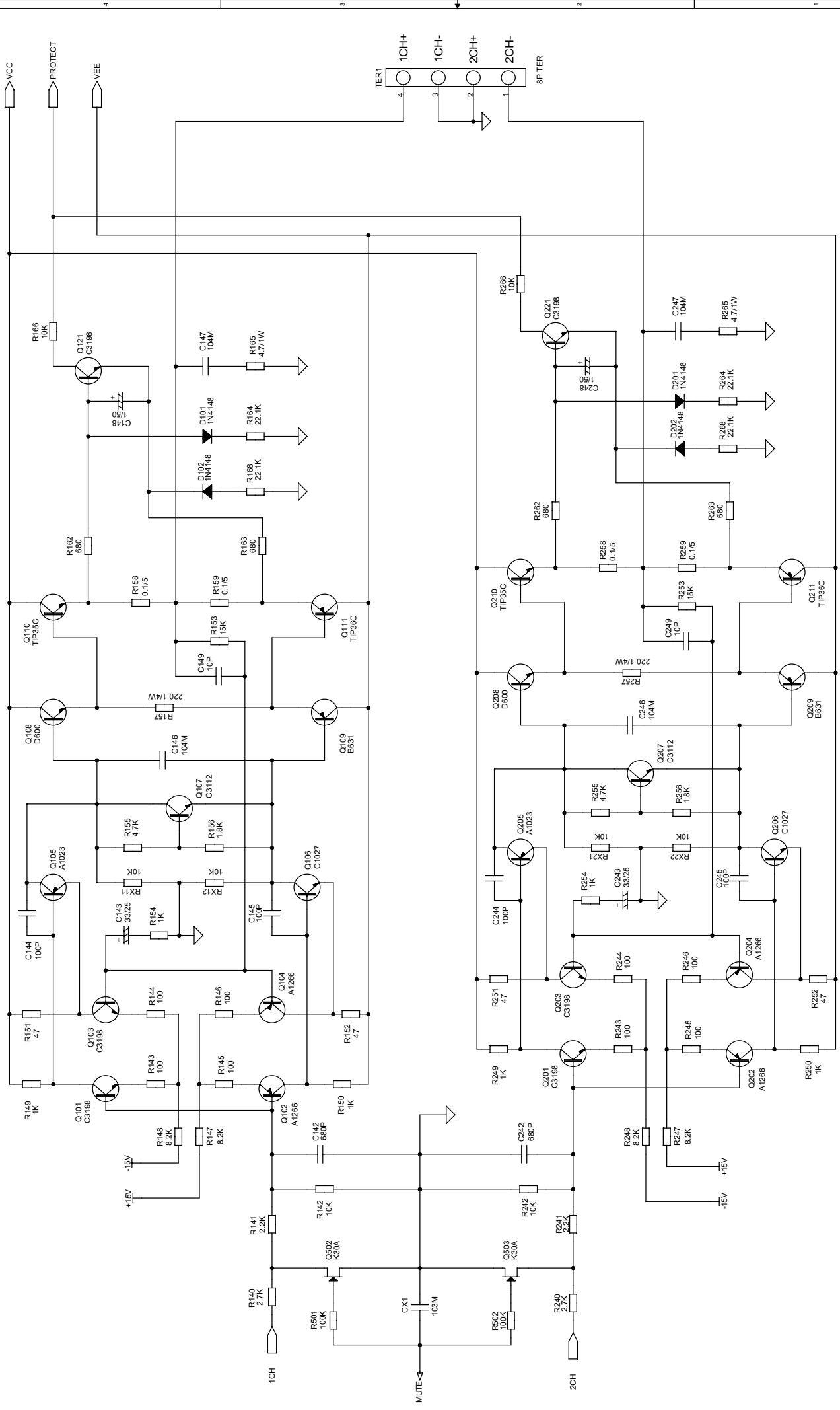
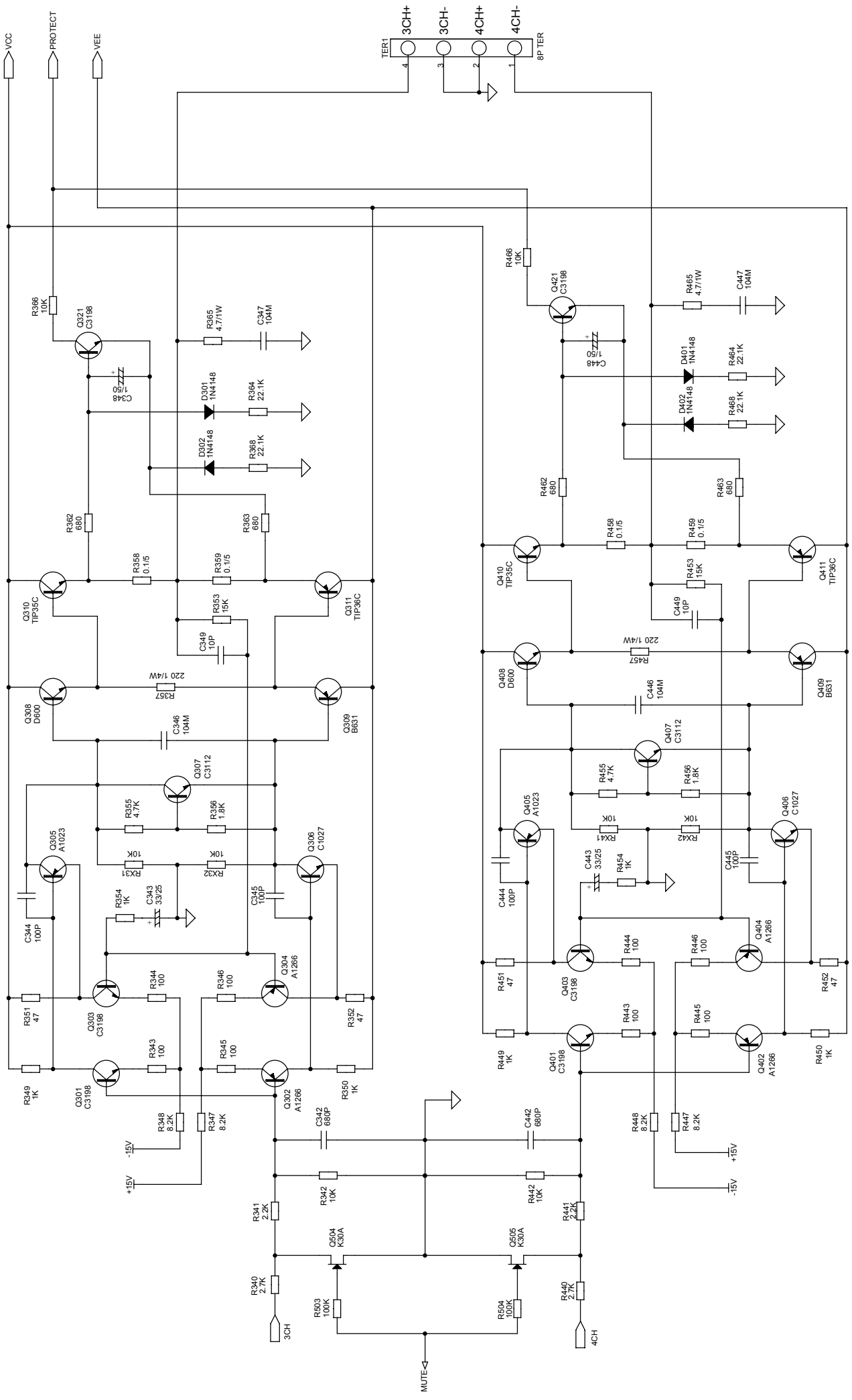


Title				
MB4.400-INPUT 3,4CH				
Size				
Document Number				
D-E-MB9754I-20				
Customer				
Date				
Monday, June 13, 2005				
Sheet	2	of	5	



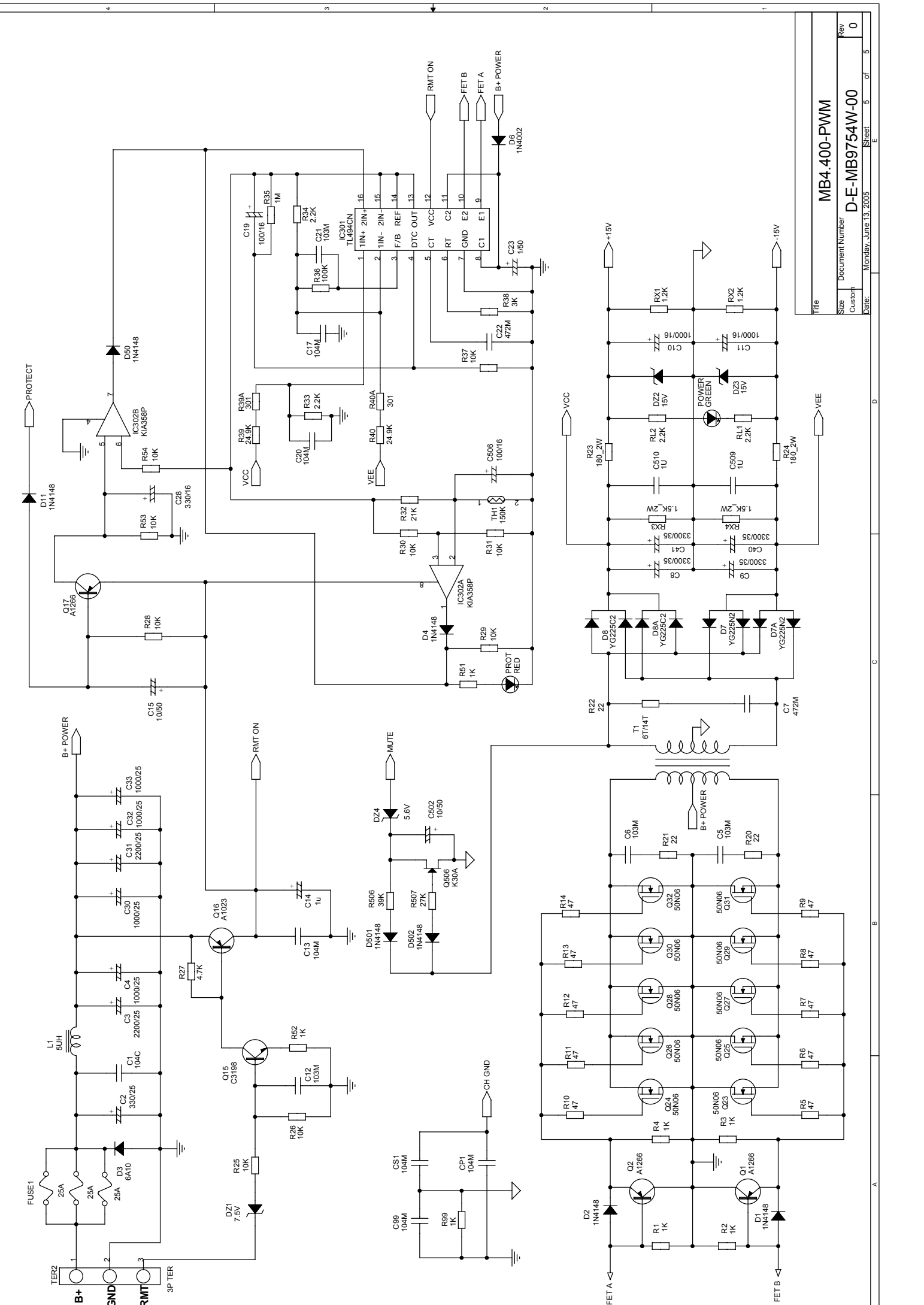
File	MB4.400-AUDIO 1,2CH			
Size	Document Number	D-E-MB9754A-10		
Custom	Date:	Monday, June 13, 2005	Sheet	3 of 5
Rev	0			



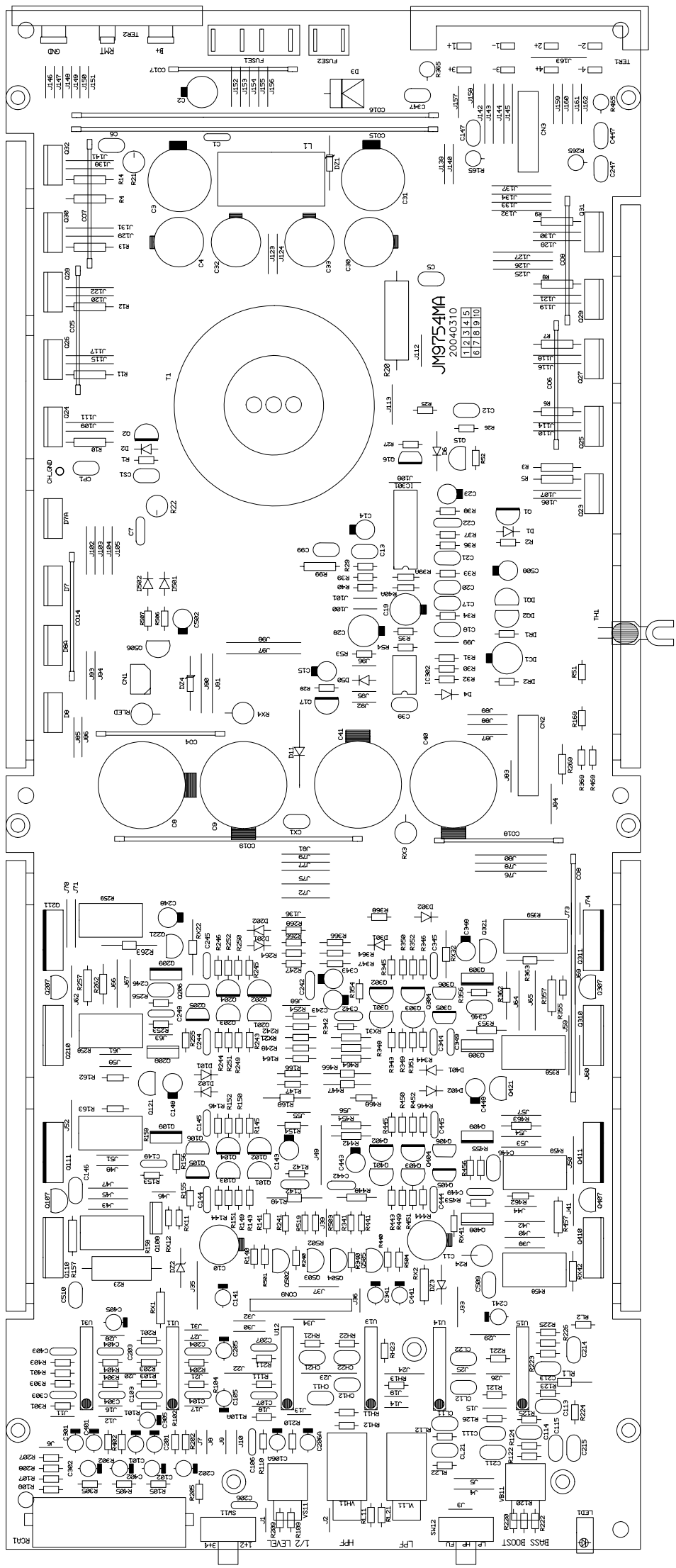
Title	MB4.400-AUDIO 3,4CH					
Size	Document Number	D-E-MB9754A-20			Rev	0
Custom	Date	Monday, June 13, 2005	Sheet	4	of	5

E
D
C
B
A

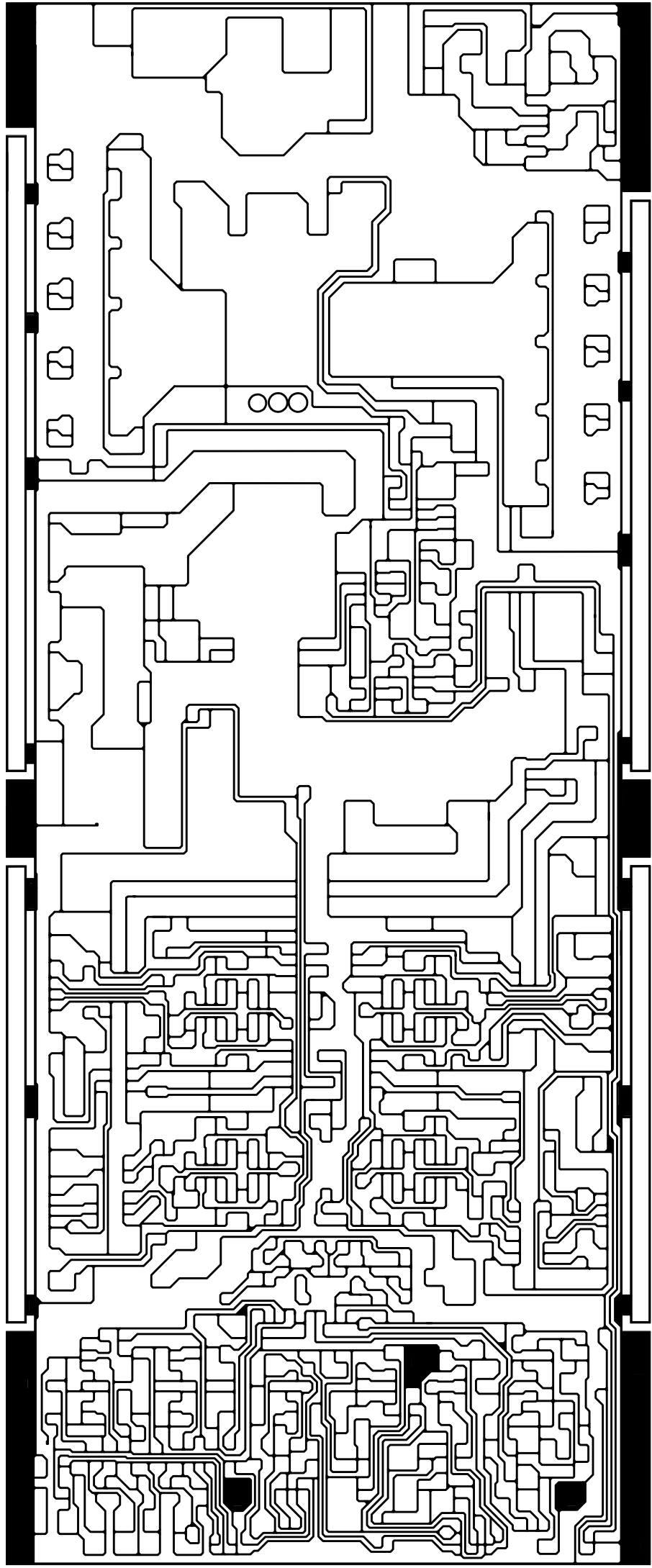
4
3
2
1



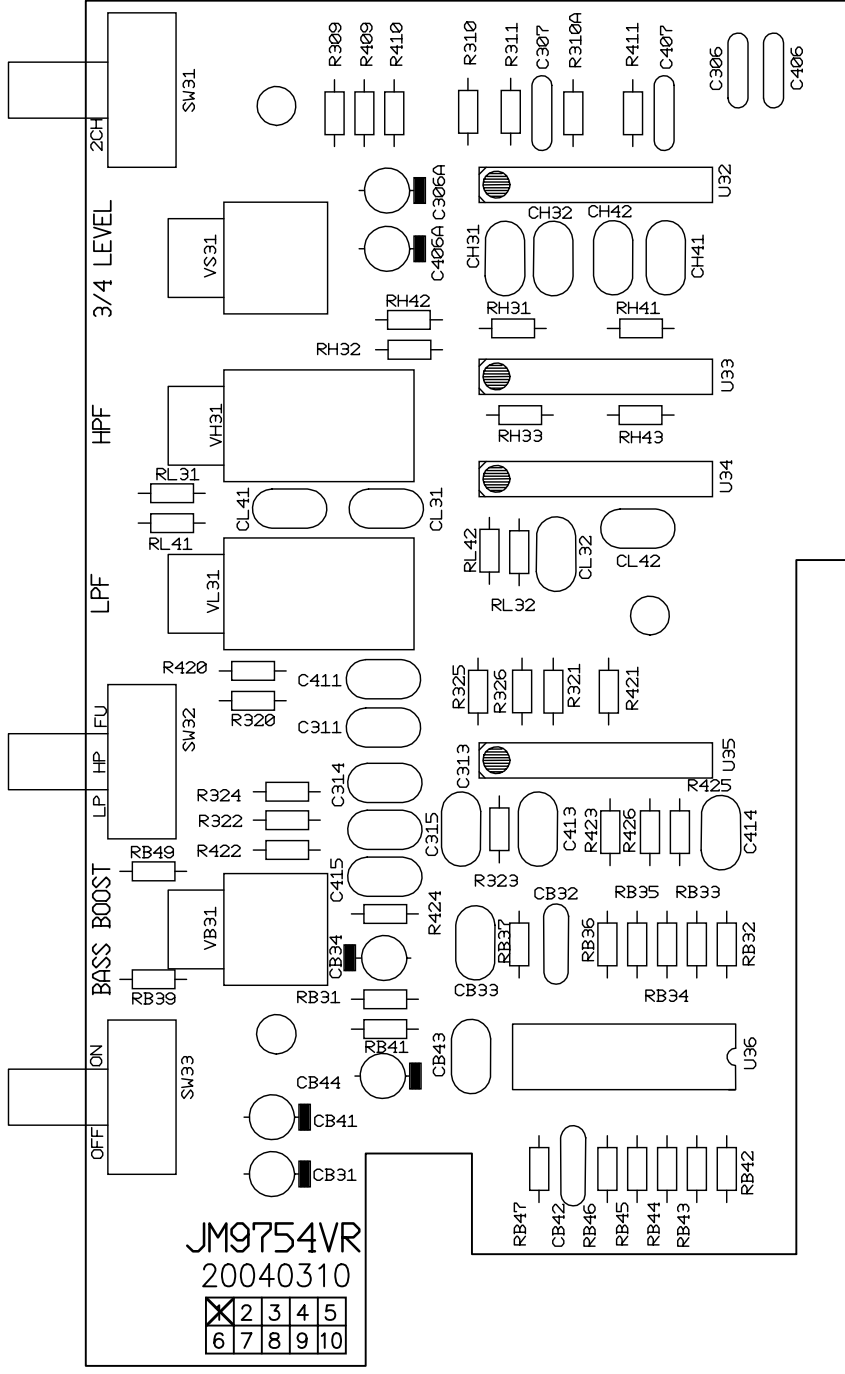
Title		MB4.400-PWM	
Size	Document Number	Rev	0
Custom	D-E-MB9754W-00	Sheet	5 of 5
Date:	Monday, June 13, 2005	E	



TITLE		PCB BOARD MB4.400	
SIZE NUMBER		REV	
A3		D-B-JM9754MTS-00	
DATE:2006-06-13		DRAWN BY:C.Y.WON	
FILE NAME:		Sheet : 1 / 1	
CHECKED DATE	APPROVED DATE		



TITLE	PCB BOARD MB4.400		
CHECKED DATE	APPROVED DATE	SIZE NUMBER	REV
		A3	D-B-JM9754MBP-00 0
DATE: 2006-06-13		DRAWN BY: C.Y.WON	
FILE NAME:		Sheet : 1 / 1	



TITLE

PCB BOARD MB4.400-VR

CHECKED DATE

SIZE NUMBER

A3 D-B-JM9754VTS-00

REV

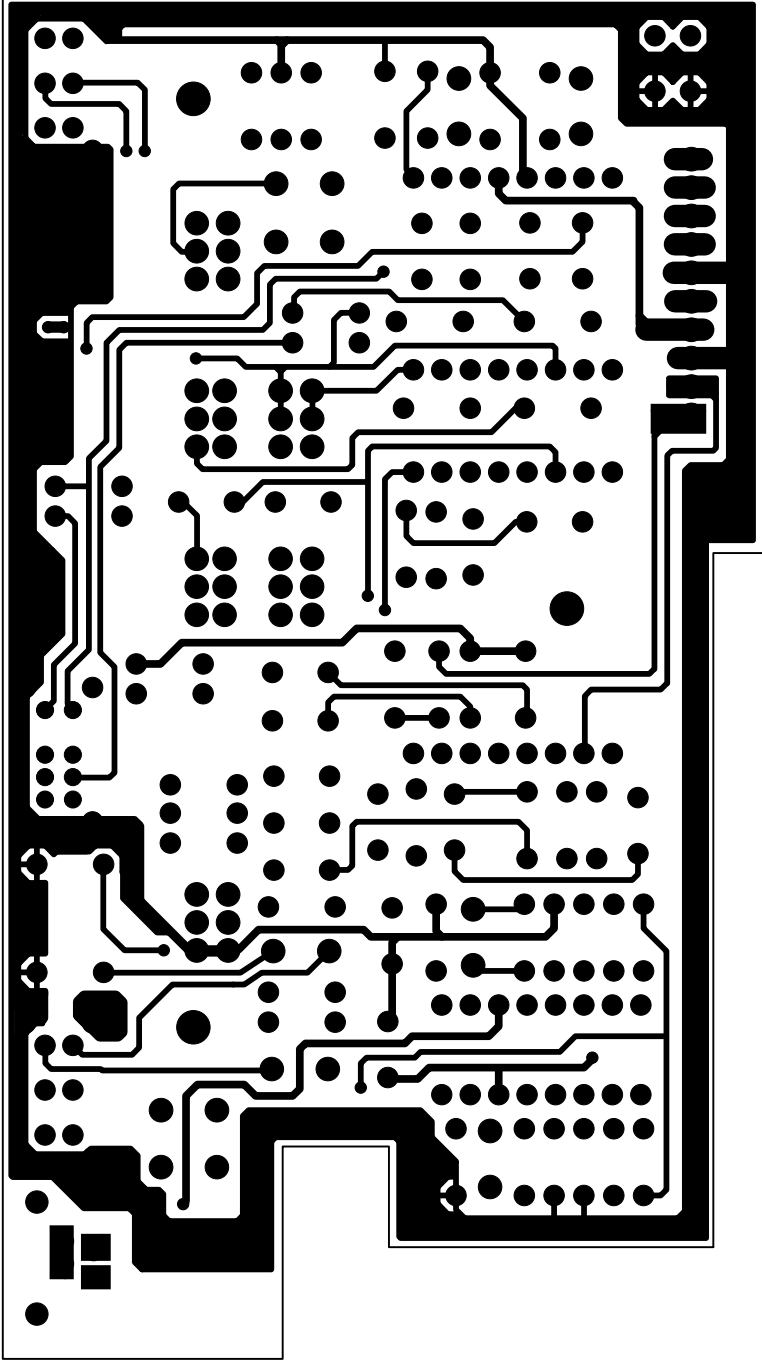
0

DATE: 2004-08-27

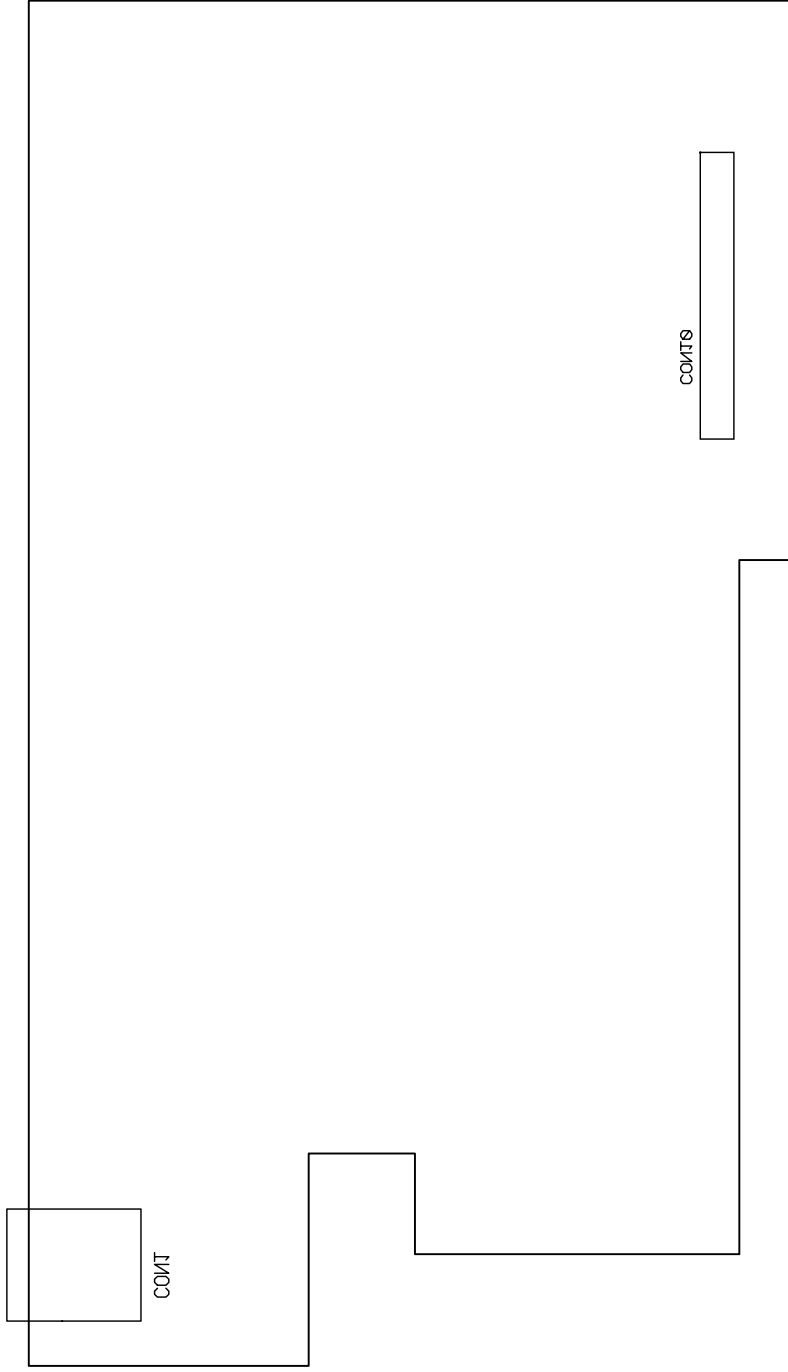
DRAWN BY : C.Y.WON

FILE NAME:

Sheet : 1/1



TITLE		PCB BOARD MB4.400-VR		REV
		SIZE	NUMBER	A3 D-B-JM9754VTP-00 0
CHECKED DATE	APPROVED DATE	DATE: 2004-08-27		DRAWN BY: C.Y.WON
		FILE NAME:		Sheet : 1/1



TITLE

PCB BOARD MB4.400-VR

CHECKED DATE

APPROVED DATE

SIZE NUMBER

A3 D-B-JM9754VBS-00

REV

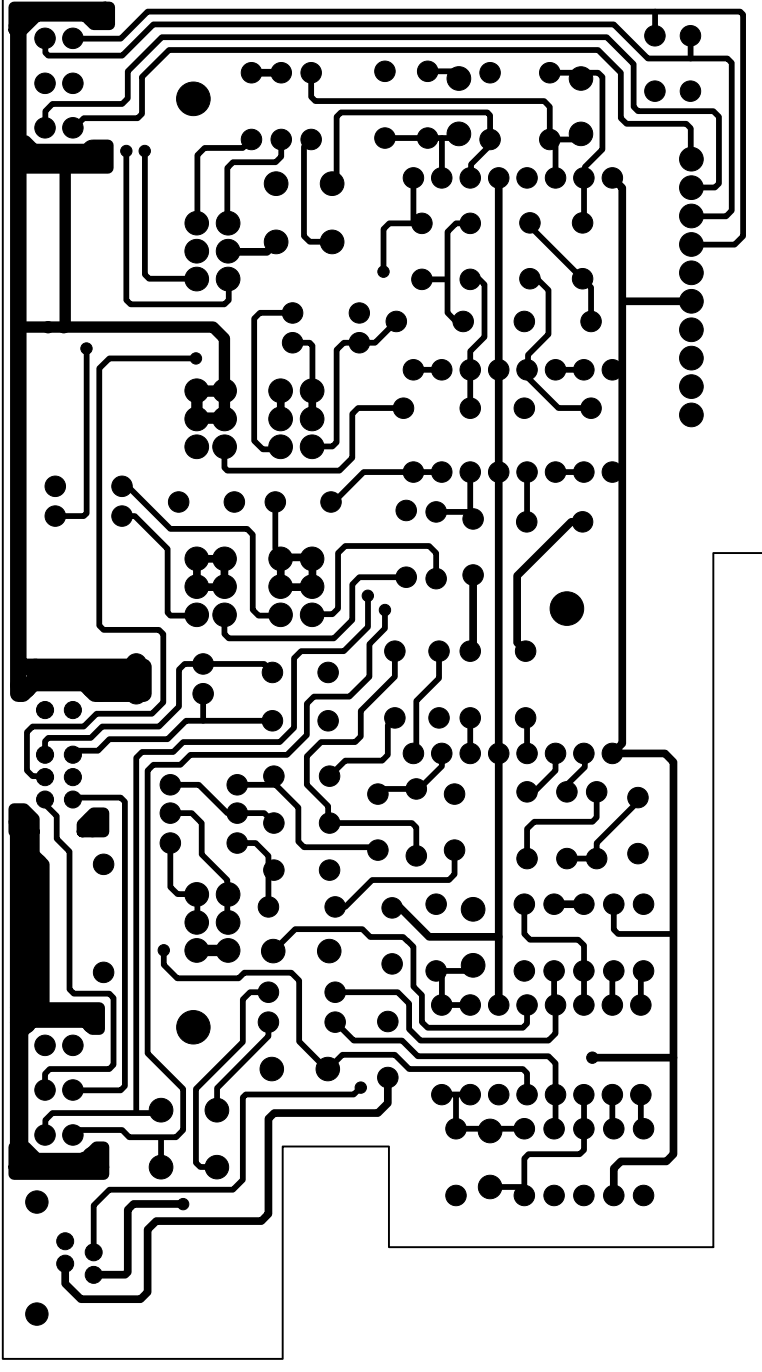
0

DATE: 2004-08-27

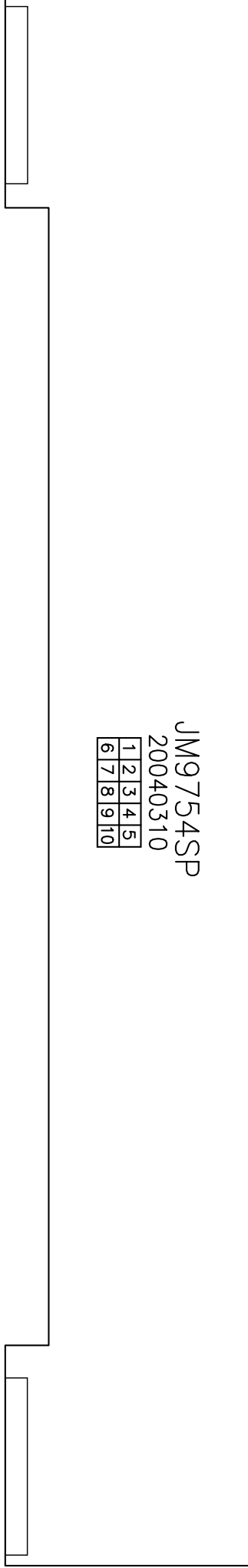
DRAWN BY: C.Y.WON

FILE NAME:

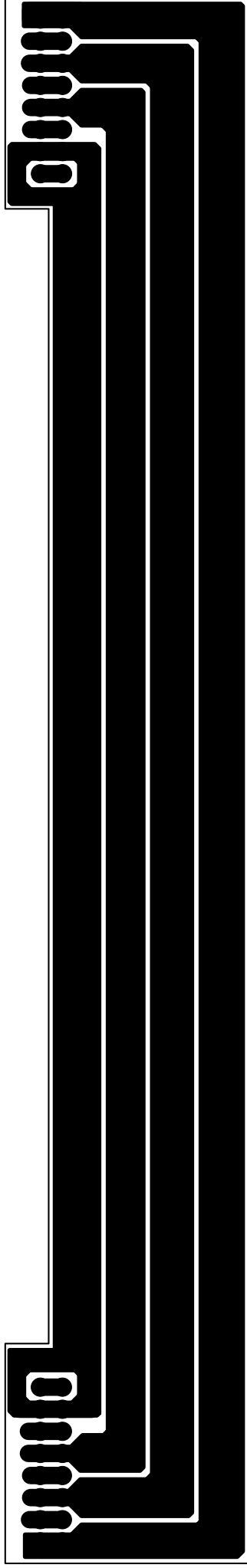
Sheet : 1/1



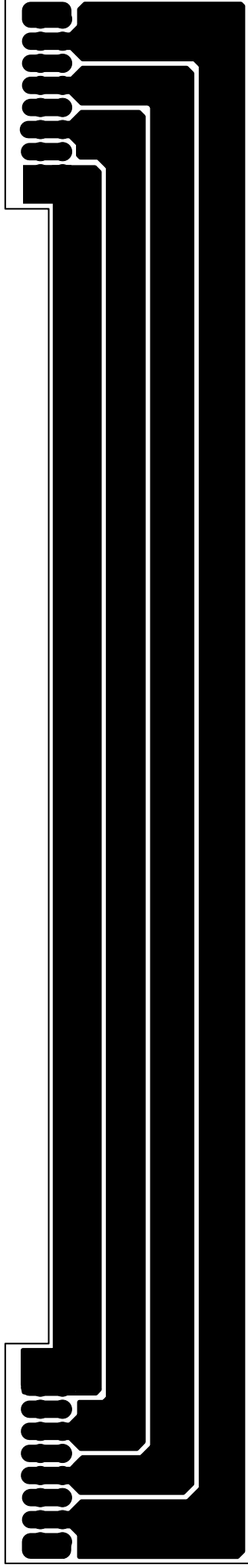
		TITLE		PCB BOARD MB4.400-VR	
		SIZE	NUMBER	REV	
CHECKED DATE	APPROVED DATE	A3 D-B-JM9754VBP-00		0	
		DATE: 2004-08-27		DRAWN BY: C.Y.WON	
		FILE NAME:		Sheet : 1/1	



TITLE		PCB BOARD MB4.400-SP	
SIZE	NUMBER	REV	
A3	D-B-JM9754STS-00	0	
DATE:2004-08-28		DRAWN BY :C.Y.WON	
FILE NAME:		Sheet : 1/1	
CHECKED DATE	APPROVED DATE		



TITLE		PCB BOARD MB4.400-SP		REV	0
SIZE		NUMBER		REV	
A3		D-B-JM9754STP-00		0	
DATE:2004-08-28		DRAWN BY :C.Y.WON			
FILE NAME:		Sheet : 1 / 1			
CHECKED DATE	APPROVED DATE				



TITLE		PCB BOARD MB4.400-SP		REV	0
SIZE		NUMBER		REV	
A3		D-B-JM9754SBP-00		0	
DATE:2004-08-28		DRAWN BY :C.Y.WON			
FILE NAME:		Sheet : 1 / 1			
CHECKED DATE	APPROVED DATE				

PART LIST(MB4.400)

* BUYER : DELTA

* MODEL : MB4.400

* CODE :

NO	CODE	NAME	STAN	Q'TY	REMARK
1	B-FLUX-----1	FLUX NT2016	@44000 IR410M	1.00	
2	B-IPA-----1	IPA IT330M	15kg:@32000	1.00	
3	B-SLDR-BAR--1	SOLDER BAR 60%	kg:\$7.2 g:\$0.0072	1.00	
4	B-SLDR-WIRE-1	SOLDER WIRE 60%	kg:\$7.09 g:\$0.0071	1.00	
5	B-TUB-EMP1--1	TUBE EMPIRE	1mm/O.05 @70	1.00	TH1, Q107, Q207, Q307, Q407
6	G-LED-HOLDER6	HOLDER LED ASS'Y	TOH-30FOGD1-B(G/R)	1.00	LED1
7	H-COPER-2--10	COPER 2P NI 1t	2P_90mm_10mm(h)	2.00	CO15, CO16
8	H-COPER-2--3	COPER 2P NI 1t	2P_30mm_10mm(h)	8.00	CO4, CO5, CO6, CO7, CO8, CO14, CO17, CO18
9	H-COPER-2--5	COPER 2P NI 1t	2P_60mm_10mm(h)	2.00	CO8, CO19
10	H-DIO-25C---2	DIODE YG225C2	YG225C2 Y=24	2.00	D8, D8A
11	H-DIO-25N---2	DIODE YG225N2	YG225N2 Y=24	2.00	D7, D7A
12	H-DIO-6A10--1	DIODE 6A10 (P600M)		1.00	D3
13	H-E13-16SH--2	EC 1000/16 10X16 SHL		2.00	C10, C11
14	H-E13-25SX--2	EC1000/25 12.5x25SXE		4.00	C4, C30, C32, C33
15	H-E223-25SX-1	EC2200/25 16x25 SXE		2.00	C3, C31
16	H-E333-35MHA1	EC 3300/35 22x25 MHA		4.00	C8, C9, C40, C41
17	H-FUS-25A---2	FUSE ATC-25A		3.00	FUSE1x2EA, FUSE2
18	H-FUS-HOL3-31	HOLDER FUS P3	DKT-08011 PCB-INSERT	1.00	FUSE2
19	H-FUS-HOPL231	HOLDER FUS DKF-08021	DOUBLE, PCB	1.00	FUSE1
20	H-IC-358P---1	IC KIA358P		1.00	IC302
21	H-IC-4560L--1	IC NJM4560L SIP		6.00	U11, U12, U13, U14, U15, U31
22	H-IC-494CN--1	IC 494CN		1.00	IC301
23	H-JAK-R6PN--4	JACK RCA 6P NICKEL	DKJ66001 B/B	1.00	RCA1
24	H-LINECO-MB-1	LINE OUT CONVERTOR	MYSTERY	2.00	

PART LIST(MB4.400)

* BUYER : DELTA

* MODEL : MB4.400

* CODE :

NO	CODE	NAME	STAN	Q'TY	REMARK
25	H-MOS-44----4	MOSFET FQP50N06	N-CH TO220	10.00	Q23, Q24, Q25, Q26, Q27, Q28, Q29, Q30,
26	H-MOS-44----4	MOSFET FQP50N06	N-CH TO220	0.00	Q31, Q32
27	H-PIN-10PSS-3	PIN SOCKET2.54 10PIN	SMBB-254S10G(M=8.5MM	1.00	CON9
28	H-PTRC-5-23-4	RFC COIL TOROIDE D/N	5uH 23mm 8Px7T	1.00	L1
29	H-PTTO-49--47	P.T TROIDE 49mm D/N	NV640 6T/14T	1.00	T1
30	H-R1WM-472--3	RESISTOR MET 1W4.7	R-TYPE	4.00	R165, R265, R365, R465
31	H-R2WM-154--3	RESISTOR MET 2W1.5K	R-TYPE	2.00	RX3, RX4
32	H-R2WM-180--2	RESISTOR MET 2W180	M TYPE	1.00	R23
33	H-R2WM-180--3	RESISTOR MET 2W180	R TYPE	1.00	R24
34	H-R3WM-22---2	RESISTOR MET 3W22	J/F TYPE	1.00	R20
35	H-R3WM-22---3	RESISTOR MET 3W22	R TYPE	2.00	R21, R22
36	H-R5WM-01---2	RESISTOR MPR 5W 0.1	2P R/F TYPE 8T	8.00	R158, R159, R258, R259, R358, R359, R458, R459
37	H-STRG-3PN--2	TERMINAL SCREW _2B	DK031215B 3P NICKEL	1.00	TER2
38	H-STRG-8PN--2	TERMINAL SCREW _2B	DK082314BB 8P NICKEL	1.00	TER1
39	H-SWS-2219--1	SW SL SSK22A19G6	2C2P 6MM	1.00	SW11
40	H-SWS-2319--1	SW SL SSK23A19G6	2C3P 6MM	1.00	SW12
41	H-THM-150K--2	THERMISTOR 150K	"LUG"	1.00	TH1
42	H-TR-3112B--1	TR KTC3112B		4.00	Q107, Q207, Q307, Q407
43	H-TR-35C----1	TR TIP35C		4.00	Q110, Q210, Q310, Q410
44	H-TR-36C----1	TR TIP36C		4.00	Q111, Q211, Q311, Q411
45	H-TR-600E---1	TR 2SD600E		4.00	Q108, Q208, Q308, Q408
46	H-TR-631E---1	TR 2SB631E		4.00	Q109, Q209, Q309, Q409
47	H-VR953B20--1	RTVR 3B20K 2GB	RV095GBC015RS3B20K	1.00	VS11
48	H-VR953B500-1	RTVR 3B500K 2GB	RV095GBC015RS3B500K	1.00	VB11

PART LIST(MB4.400)

* BUYER : DELTA

* MODEL : MB4.400

* CODE :

NO	CODE	NAME	STAN	Q'TY	REMARK
49	H-VR9543B50-1	RTVR 3B50K 4GB	RV0954GBCO15RS3B50K	2.00	VH11, VL11
50	H-W16-RT150-1	RING TERMINAL 150MM	AWG#22 BK 150 3.5	1.00	CH_GND
51	H-CER-100CHT1	CER CAP 100PF CH	TP TYPE	8.00	C144, C145, C244, C245, C344, C345, C444, C445
52	H-CER-102T--1	CER CAP 102PF	TP TYPE	2.00	C106, C206
53	H-CER-104T--1	CER CAP 104PF	TP TYPE	1.00	C1
54	H-CER-10CHT-1	CER CAP 10PF CH	TP TYPE	4.00	C149, C249, C349, C449
55	H-CER-150CHT1	CER CAP 150PF CH	TP TYPE	1.00	C107
56	H-CER-33CHT-1	CER CAP 33P CH	TP TYPE	1.00	C207
57	H-CER-56CHT-1	CER CAP 56PF CH	TP TYPE	8.00	C103, C104, C203, C204, C303, C304, C403, C404
58	H-CER-680T--1	CER CAP 680PF	TP TYPE	4.00	C142, C242, C342, C442
59	H-DIO-4002--1	DIODE IN4002		1.00	D6
60	H-DIO-4148--1	DIODE IN4148M		15.00	D1, D2, D4, D11, D50, D101, D102, D201,
61	H-DIO-4148--1	DIODE IN4148M		0.00	D202, D301, D302, D401, D402, D501, D502
62	H-DIZ-1W15V-1	DIODE ZENER 1W15V	1N4744	2.00	DZ2, DZ3
63	H-DIZ-5.6B--1	DIODE ZENER MTZ5.6B	0.5W	1.00	DZ4
64	H-DIZ-7.5B--1	DIODE ZENER MTZ7.5B	0.5W	1.00	ZD1
65	H-E100-16SHT1	EC 100/16 5X11 SHL	TP TYPE	2.00	C19, C508
66	H-E10-16SRT-1	EC 10/16 4x7 SRA	TP TYPE	14.00	C101, C102, C105, C106A, C201, C202, C205, C206A,
67	H-E10-16SRT-1	EC 10/16 4x7 SRA	TP TYPE	0.00	C301, C302, C305, C401, C402, C405
68	H-E10-50SHT-1	EC 10/50 5x11 SHL	TP TYPE	2.00	C15, C502
69	H-E1-50SHT--1	EC 1/50 5x11 SHL	TP TYPE	6.00	C14, C23, C148, C248, C348, C448
70	H-E330-16SHT1	EC 330/16 8x11.5SHL	TP TYPE	1.00	C28
71	H-E330-25SHT1	EC 330/25 8X11.5 SHL	TP TYPE	1.00	C2
72	H-E33-35SHT-1	EC 33/35 5x11 SHL	TP TYPE	4.00	C143, C243, C343, C443

PART LIST(MB4.400)

* BUYER : DELTA

* MODEL : MB4.400

* CODE :

NO	CODE	NAME	STAN	Q'TY	REMARK
73	H-E4.7-25SRT1	EC 4.7/25 4X7 SRA	TP TYPE	4.00	C141, C241, C341, C441
74	H-JW-JUMPW06T	JUMP WIRE 0.6T		161.00	
75	H-MFB-104P5T1	CAP/M-FILM 104/63V	BOX FILM 104 TP TYPE	2.00	C17, C447
76	H-MFB-105P5T1	CAP/M-FILM 105/63V	BOX FILM 105 TP TYPE	2.00	C509, C510
77	H-MFB-124P5T1	CAP/M-FILM 124/63V	BOX FILM 124 TP TYPE	2.00	CL11, CL22
78	H-MFB-224P5T1	CAP/M-FILM 224/63V	BOX FILM 224 TP TYPE	2.00	C111, C211
79	H-MYR-103T--2	MYLAR 103(0.01/100)	TP TYPE "J"	5.00	C5, C6, C12, C21, CX1
80	H-MYR-104MT-2	MYLAR 104(0.1/50)	TP TYPE "J" MINI	7.00	C13, C20, C247, CH11, CH12, CH21, CH22
81	H-MYR-104T--2	MYLAR 104(0.1/100)	TP TYPE "J"	9.00	C99, C146, C147, C246, C346, C347, C446, CP1,
82	H-MYR-104T--2	MYLAR 104(0.1/100)	TP TYPE "J"	0.00	CS1
83	H-MYR-123MT-2	MYLAR 123(0.012/50)	TP TYPE "J" MINI	4.00	C113, C114, C213, C214
84	H-MYR-472T--2	MYLAR 472(0.0047/100)	TP TYPE "J"	2.00	C7, C22
85	H-MYR-473MT-2	MYLAR 473(0.047/50)	TP TYPE "J" MINI	2.00	CL12, CL22
86	H-MYR-683MT-2	MYLAR 683(0.068/50)	TP TYPE "J" MINI	2.00	C115, C215
87	H-PBA-9754JM1	MAIN PCB JM9754MA	388x160_XPC_BLUE	1.00	COLOR : BLUE
88	H-R14-124---1	RESISTOR 1/4W 1.2K		2.00	RX1, RX2
89	H-R14-13----1	RESISTOR 1/4W 1K		3.00	R3, R4, R99
90	H-R14-220---1	RESISTOR 1/4W 220		4.00	R157, R257, R357, R457
91	H-R14-47----1	RESISTOR 1/4W 47		10.00	R5, R6, R7, R8, R9, R10, R11, R12,
92	H-R14-47----1	RESISTOR 1/4W 47		0.00	R13, R14
93	H-R18-100---1	RESISTOR 1/8W 100		16.00	R143, R144, R145, R146, R243, R244, R245, R246,
94	H-R18-100---1	RESISTOR 1/8W 100		0.00	R343, R344, R345, R346, R443, R444, R445, R446
95	H-R18-1003--1	RESISTOR 1/8W 100K		9.00	R36, R121, R124, R221, R224, R501, R502, R503, R504
96	H-R18-103---1	RESISTOR 1/8W 10K		27.00	R25, R26, R28, R29, R30, R31, R37, R53,

PART LIST(MB4.400)

* BUYER : DELTA

* MODEL : MB4.400

* CODE :

NO	CODE	NAME	STAN	Q'TY	REMARK
97	H-R18-103---1	RESISTOR 1/8W 10K		0.00	R54, R120, R142, R166, R220, R242, R266, R342,
98	H-R18-103---1	RESISTOR 1/8W 10K		0.00	R366, R442, R466, RX11, RX12, RX21, RX22, RX31,
99	H-R18-103---1	RESISTOR 1/8W 10K		0.00	RX32, RX41, RX42
100	H-R18-13----1	RESISTOR 1/8W 1K		16.00	R1, R2, R51, R52, R149, R150, R154, R249,
101	H-R18-13----1	RESISTOR 1/8W 1K		0.00	R250, R254, R349, R350, R354, R449, R450, R454
102	H-R18-1503--1	RESISTOR 1/8W 150K		4.00	R123, R125, R223, R225
103	H-R18-153---1	RESISTOR 1/8W 15K		4.00	R153, R253, R353, R453
104	H-R18-154---1	RESISTOR 1/8W 1.5K		2.00	RH11, RH21
105	H-R18-1-----6	RESISTOR 1/8W 1M		1.00	R35
106	H-R18-184---1	RESISTOR 1/8W 1.8K		4.00	R156, R256, R356, R456
107	H-R18-213---1	RESISTOR 1/8W 21K		1.00	R32
108	H-R18-223---1	RESISTOR 1/8W 22K		8.00	R101, R102, R201, R202, R301, R302, R401, R402
109	H-R18-224---1	RESISTOR 1/8W 2.2K		8.00	R33, R34, R141, R241, R341, R441, RL1, RL2
110	H-R18-273---1	RESISTOR 1/8W 27K		11.00	R103, R104, R122, R203, R204, R222, R303, R304,
111	H-R18-273---1	RESISTOR 1/8W 27K		0.00	R403, R404, R507
112	H-R18-274---1	RESISTOR 1/8W 2.7K		4.00	R140, R240, R340, R440
113	H-R18-33----1	RESISTOR 1/8W 3K		2.00	R38, R110
114	H-R18-393---1	RESISTOR 1/8W 39K		1.00	R506
115	H-R18-47----1	RESISTOR 1/8W 47		8.00	R151, R152, R251, R252, R351, R352, R451, R452
116	H-R18-473---1	RESISTOR 1/8W 47K		4.00	R108, R208, RH12, RH22
117	H-R18-474---1	RESISTOR 1/8W 4.7K		7.00	R27, R126, R155, R226, R255, R355, R455
118	H-R18-680---1	RESISTOR 1/8W 680		8.00	R162, R163, R262, R263, R362, R363, R462, R463
119	H-R18-82----1	RESISTOR 1/8W 82		4.00	R105, R205, R305, R405
120	H-R18-824---1	RESISTOR 1/8W 8.2K		10.00	R107, R147, R148, R207, R247, R248, R347, R348,

PART LIST(MB4.400)

* BUYER : DELTA

* MODEL : MB4.400

* CODE :

NO	CODE	NAME	STAN	Q'TY	REMARK
121	H-R18-824---1	RESISTOR 1/8W 8.2K		0.00	R447, R448
122	H-R18-910---1	RESISTOR 1/8W 910		2.00	R109, R209
123	H-R18-914---1	RESISTOR 1/8W 9.1K		1.00	R111
124	H-R18F-103--1	RESISTOR F1/8W 10KF		1.00	R210
125	H-R18F-10K5-1	RESISTOR F1/8W 10.5K		1.00	R110A
126	H-R18F-1374-1	RESISTOR F1/8W 13.7K		4.00	RL11, RL12, RL21, RL22
127	H-R18F-22K1-1	RESISTOR F1/8W 22.1K		8.00	R164, R168, R264, R268, R364, R368, R464, R468
128	H-R18F-2492-1	RESISTOR F1/8W 24.9K		2.00	R39, R40
129	H-R18F-301--1	RESISTOR F1/8W 301F		2.00	R39A, R40A
130	H-R18F-3744-1	RESISTOR F1/8W 3.74K		2.00	RH13, RH23
131	H-R18F-4022-1	RESISTOR F1/8W 40.2K		1.00	R211
132	H-TR-1023YT-1	TR KTA1023Y	TP TYPE	5.00	Q16, Q105, Q205, Q305, Q405
133	H-TR-1027YT-1	TR KTC1027Y	TP TYPE	4.00	Q106, Q206, Q306, Q406
134	H-TR-1266YT-1	TR KTA1266Y	TP TYPE	11.00	Q1, Q2, Q17, Q102, Q104, Q202, Q204, Q302,
135	H-TR-1266YT-1	TR KTA1266Y	TP TYPE	0.00	Q304, Q402, Q404
136	H-TR-3198YT-1	TR KTC3198Y	TP TYPE	13.00	Q15, Q101, Q103, Q121, Q201, Q203, Q221, Q301,
137	H-TR-3198YT-1	TR KTC3198Y	TP TYPE	0.00	Q303, Q321, Q401, Q403, Q421
138	H-TR-K30AT--1	TR K30A	TP TYPE	5.00	Q502, Q503, Q504, Q505, Q506
139	H-IC-4560L--1	IC NJM4560L SIP		4.00	U32, U33, U34, U35
140	H-JW-JUMPW-23	JUMP WIRE 0.6x4MM		2.00	JP01, JP02
141	H-PIN-10PS--8	PIN HEADER2.54 10PIN	SMEH-254S10G(L=0/7)	1.00	CON10
142	H-SWS-2219--1	SW SL SSK22A19G6	2C2P 6MM	1.00	SW31
143	H-SWS-2319--1	SW SL SSK23A19G6	2C3P 6MM	1.00	SW32
144	H-VR953B20--1	RTVR 3B20K 2GB	RV095GBC015RS3B20K	1.00	VS31

PART LIST(MB4.400)

* BUYER : DELTA

* MODEL : MB4.400

* CODE :

NO	CODE	NAME	STAN	Q'TY	REMARK
145	H-VR953B500-1	RTVR 3B500K 2GB	RV095GBC015RS3B500K	1.00	VB31
146	H-VR9543B50-1	RTVR 3B50K 4GB	RV0954GBCO15RS3B50K	2.00	VL31, VH31
147	H-CER-102T--1	CER CAP 102PF	TP TYPE	2.00	C306, C406
148	H-CER-150CHT1	CER CAP 150PF CH	TP TYPE	1.00	C307
149	H-CER-33CHT-1	CER CAP 33P CH	TP TYPE	1.00	C407
150	H-E10-16SRT-1	EC 10/16 4x7 SRA	TP TYPE	2.00	C306A, C406A
151	H-MFB-104P5T1	CAP/M-FILM 104/63V	BOX FILM 104 TP TYPE	2.00	CH32, CH42
152	H-MFB-124P5T1	CAP/M-FILM 124/63V	BOX FILM 124 TP TYPE	2.00	CL31, CL41
153	H-MFB-224P5T1	CAP/M-FILM 224/63V	BOX FILM 224 TP TYPE	2.00	C311, C411
154	H-MYR-104MT-2	MYLAR 104(0.1/50)	TP TYPE "J" MINI	2.00	CL32, CL42
155	H-MYR-123MT-2	MYLAR 123(0.012/50)	TP TYPE "J" MINI	4.00	C313, C314, C413, C414
156	H-MYR-473MT-2	MYLAR 473(0.047/50)	TP TYPE "J" MINI	2.00	CL32, CL42
157	H-MYR-683MT-2	MYLAR 683(0.068/50)	TP TYPE "J" MINI	2.00	C315, C415
158	H-PBS-9754JM1	VOLUME PCB JM9754VR	140x138_FR4_BLUE_1/2	1.00	COLOR : BLUE
159	H-R18-1003--1	RESISTOR 1/8W 100K		4.00	R321, R324, R421, R424
160	H-R18-103---1	RESISTOR 1/8W 10K		2.00	R320, R420
161	H-R18-1503--1	RESISTOR 1/8W 150K		4.00	R323, R325, R423, R425
162	H-R18-154---1	RESISTOR 1/8W 1.5K		2.00	RH31, RH41
163	H-R18-273---1	RESISTOR 1/8W 27K		2.00	R322, R422
164	H-R18-33----1	RESISTOR 1/8W 3K		1.00	R310
165	H-R18-473---1	RESISTOR 1/8W 47K		2.00	RH32, RH42
166	H-R18-474---1	RESISTOR 1/8W 4.7K		2.00	R326, R426
167	H-R18-910---1	RESISTOR 1/8W 910		2.00	R309, R409
168	H-R18-914---1	RESISTOR 1/8W 9.1K		1.00	R311

PART LIST(MB4.400)

* BUYER : DELTA

* MODEL : MB4.400

* CODE :

NO	CODE	NAME	STAN	Q'TY	REMARK
169	H-R18F-103--1	RESISTOR F1/8W 10KF		1.00	R410
170	H-R18F-10K5-1	RESISTOR F1/8W 10.5K		1.00	R310A
171	H-R18F-1374-1	RESISTOR F1/8W 13.7K		4.00	RL31, RL32, RL41, RL42
172	H-R18F-3744-1	RESISTOR F1/8W 3.74K		2.00	RH33, RH43
173	H-R18F-4022-1	RESISTOR F1/8W 40.2K		1.00	R411
174	H-PBS-9754JM2	SPEAKER PCB JM9754SP	180x140_FR4_BLUE_1/5	1.00	COLOR : BLUE
175	H-PIN-16PS--5	PIN HEADER 2X8 (16P)	SMRH-254D16T	2.00	CN1, CN4